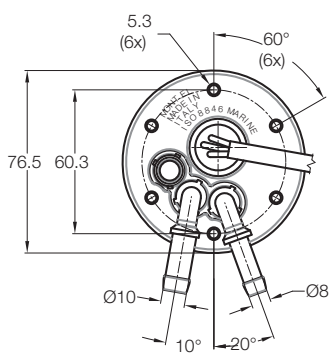
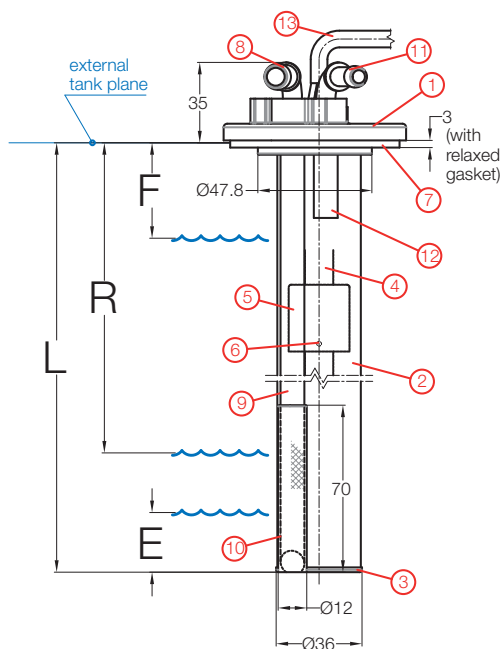


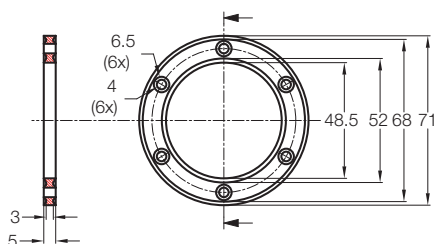
B2

Sensore con fissaggio a 6 viti (ø60,3 mm)
con tubi carburante

6 screws (ø60,3 mm) fixation sensor with fuel lines



GUARNIZIONE ESTERNA
EXTERNAL GASKET



COMPATIBILE
CON CARBURANTI

FUEL
COMPATIBILITY

Benzina senza piombo

Unleaded petrol

Gasolio

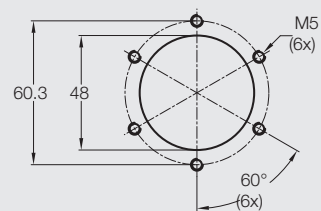
Diesel fuel

Gasolio agricolo

Bio-diesel



FISSAGGIO AL SERBATOIO
TANK COUPLING



POSIZIONAMENTO
NEL SERBATOIO

TANK
POSITIONING

Solo per montaggio dall'alto

Only for top mounting



	Descrizione Description	Materiale Material
1	Flangia Flange	PA66 caricato vetro PA66 glass forced
2	Corpo Body	Alluminio Aluminium
3	Tappo di chiusura Bottom cap	PA66 caricato vetro PA66 glass forced
4	Circuito stampato Printed circuit board	FR4 dorato Gold plated FR4
5	Galleggiante Float	Nylon espanso Foamed nylon
6	Contatto strisciante Sliding contact	Bronzo fosforoso dorato Gold plated phosphorous bronze
7	Guarnizione esterna External gasket	NBR70 NBR70
8	Raccordo di aspirazione carburante Suction fuel connection	Acciaio Steel
9	Tubo di aspirazione carburante Suction fuel tube	PA11 (ø10x8) PA11 (ø10x8)
10	Filtro Filter	Acciaio (Maglia R2x1x0.35x0.2; ~500 micron) Steel (Filtering stitch R2x1x0.35x0.2; ~500 micron)
11	Raccordo di ritorno carburante Backflow fuel connection	Acciaio Steel
12	Tubo di ritorno carburante Backflow fuel tube	PA11 (ø10x8) PA11 (ø10x8)
13	Cablaggio (L=200 mm) Wiring harness (L=200 mm)	(vedi pagina 7) (please see at page 7)

Lunghezze disponibili Available lengths			
L Lunghezza sensore Sensor length	R Livello riserva Reserve level	F Zona buia al pieno "Full" dark zone	E Zona buia al vuoto "Empty" dark zone
152,0	115,0	41,2	26,5
195,0	165,5	41,2	26,5
225,0	191,0	41,2	25,0
251,0	215,0	41,2	26,5
267,0	227,8	41,2	28,2
278,0	225,0	41,2	34,0
290,0	262,0	41,2	25,0
302,0	247,0	41,2	26,5
326,0	289,0	38,5	25,0
339,0	281,0	41,2	26,5
355,0	322,0	45,0	25,0
381,0	329,0	41,2	25,0
415,0	375,0	41,2	26,0
428,0	387,5	41,2	26,0
460,0	425,0	41,2	25,0
490,0	440,0	41,2	25,0
505,0	456,0	45,5	26,0
515,0	462,0	43,5	25,0
525,0	463,0	45,0	27,0
552,0	500,0	50,0	26,5
571,0	540,6	41,2	25,0
624,0	544,0	41,2	26,5
650,0	608,0	70,0	26,5
684,0	638,0	45,5	33,0